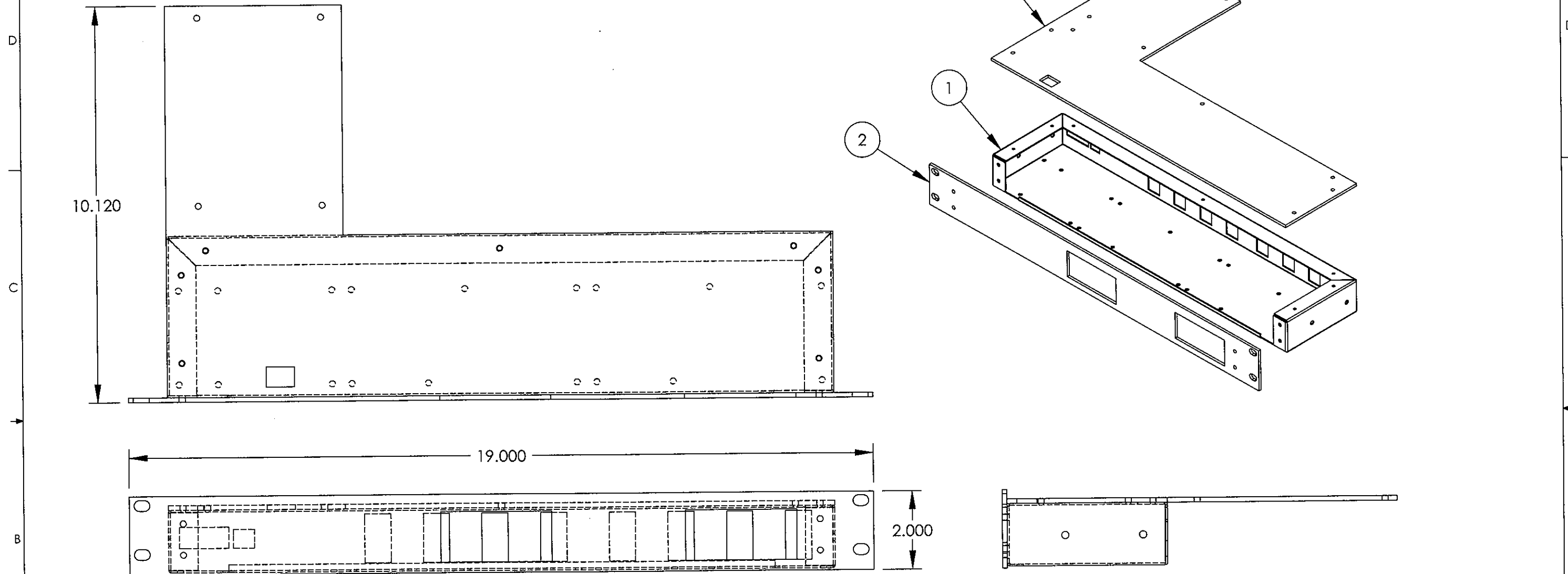


THE INFORMATION CONTAINED IN THIS DRAWING IS THE SOLE PROPERTY OF BUD INDUSTRIES INC. ANY REPRODUCTION IN PART OR WHOLE WITHOUT THE WRITTEN PERMISSION OF BUD INDUSTRIES INC. IS PROHIBITED.

DWG. NO. 48060	
ISSUE	REVISIONS



MATERIAL:
 CHASSIS - .050 THK. ALUMINUM
 PANEL & CHASSIS COVER - .120 THK. ALUMINUM

FINISH:
 ALL PARTS - NATURAL

UNIT TO BE SHIPPED UNASSEMBLED
 ITEM #4 NOT SHOWN

NOTE: THIS IS A #CH-14400 MODIFIED

*	4	1	48060-HW	HARDWARE KIT
	3	1	48060-CC	CHASSIS COVER
	2	1	48060-P	PANEL
	1	1	48060-C	CHASSIS
ITEM	QTY.	PART NO.	DESCRIPTION	

PARTS LIST			
TOLERANCES: +/- .005 BETWEEN HOLE CENTERS +/- .015 FROM SHEARED EDGE +/- .032 FROM A BENT SURFACE +/- .062 BETWEEN ASSEMBLED SURFACES UNLESS OTHERWISE SPECIFIED		CAD GENERATED DRAWING. DO NOT MANUALLY UPDATE	
MATERIAL AS NOTED		APPROVALS DRAWN DAB	DATE 10-16-09
FINISH AS NOTED		CHECKED	
		APPROVED	
QTY.		USED ON	DO NOT SCALE DRAWING

BUD INDUSTRIES INC.

SMALL RACK MOUNT CHASSIS

SIZE B	DWG. NO. 48060	REV.
SCALE	CAD FILE:	SHEET 1 OF 1